



Sandbox
SMART

Your Coffee Your Choice

Smart, Fresh & Ready to Be Part of Your Life



reddot winner 2021
best of the best

The Ultimate Work Of Home Coffee Roaster

Smart, Fresh & Ready to Be Part of Your Life



Roast your coffee in simple way

Simple App plus smart profile

Sandbox Smart provides you a quicker way
to create your own taste just for you.

Roast your coffee at home

From green beans to roasting,
from roasting to consuming.

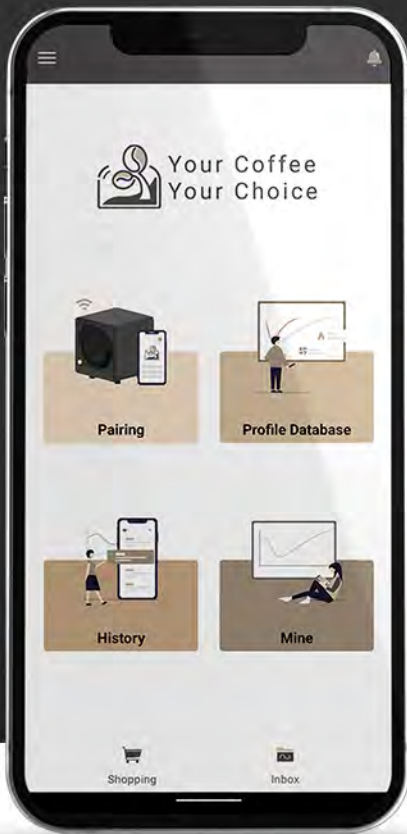
Every step by step, 100% control by you.

Your coffee can be safe, healthy and delicious.

Without excessive commercial processing and low-quality beans.

You can taste the original nutrient content of coffee in a healthy way.





 Sandbox Smart APP Simple yet professional

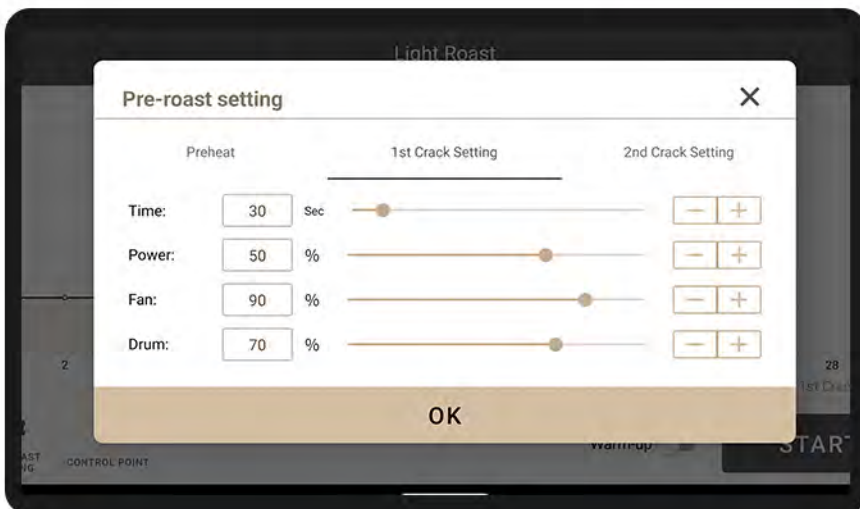
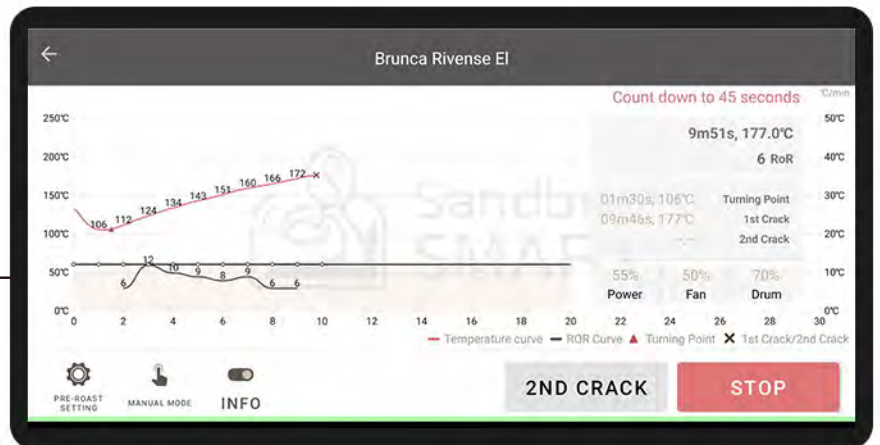
Intuitive APP control, friendly for every user

Convenient way of home roasting,

- Official mode for newbie roaster
- Manual mode for advanced roaster
- Self create mode of professional roaster

 Want something new?

Create your own profiles!



 Eligible for all

Sandbox Smart R1 is eligible for all different roasting methods



Sandbox Smart R2

Super large volume of 550g.

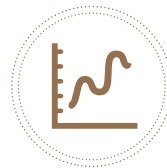
- Simulates heating with direct fire to provide stable bean-roasting quality
- Enlarged window view design for clear observation of bean color changes
- Master-grade automatic roasting profiles satisfies the diversified possibilities of coffee



Super large volume of 550g



Simulate heating with direct fire



Cloud bean-roasting profiles support



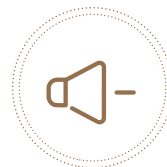
Free control over fan speed / temperature



Bluetooth connected operation



Exclusively patented bean input / output mode



Ultra quiet operation



Low fumes design



Sandbox Smart R2

All-around design for your ideal taste

Smart Coffee Roaster



- All new design chaff collector tray allows for easier cleaning
- Patented bean input/output method for better convenient usage
- Pass international green regulations RoHs,WEEE,and Food Safty Law
- Bluetooth connection, smart app operation
- 65dB quiet operation

Detailed Specifications

Model : Sandbox Smart R2

Roasting capacity : 200g-550g

Heating method : Electric heating approach

Voltage : AC 110V(50/60Hz)

AC 220V(50/60Hz)

Power : 900W

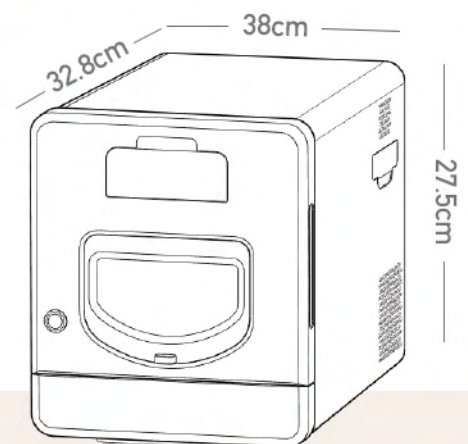
Rotating speed : 90rpm

External dimensions : LxWxH 38.0*27.5*32.8cm

Product wight : 12kg

Connection : Bluetooth

Accessories : Bean inlet tray,heat-insulation gloves,straight brush,power cord,screwdriver



Sandbox Smart R1

Elegant design appropriate for home

Smart Coffee Roaster



With electric heating, you can roast coffee at home while maintaining professional flavor.
Built-in profiles had been tested many times to meet your fond.
Sandbox Smart R1 is our first hit and starting point, we believe soon you will experience
the joy and the flavor which it brings.

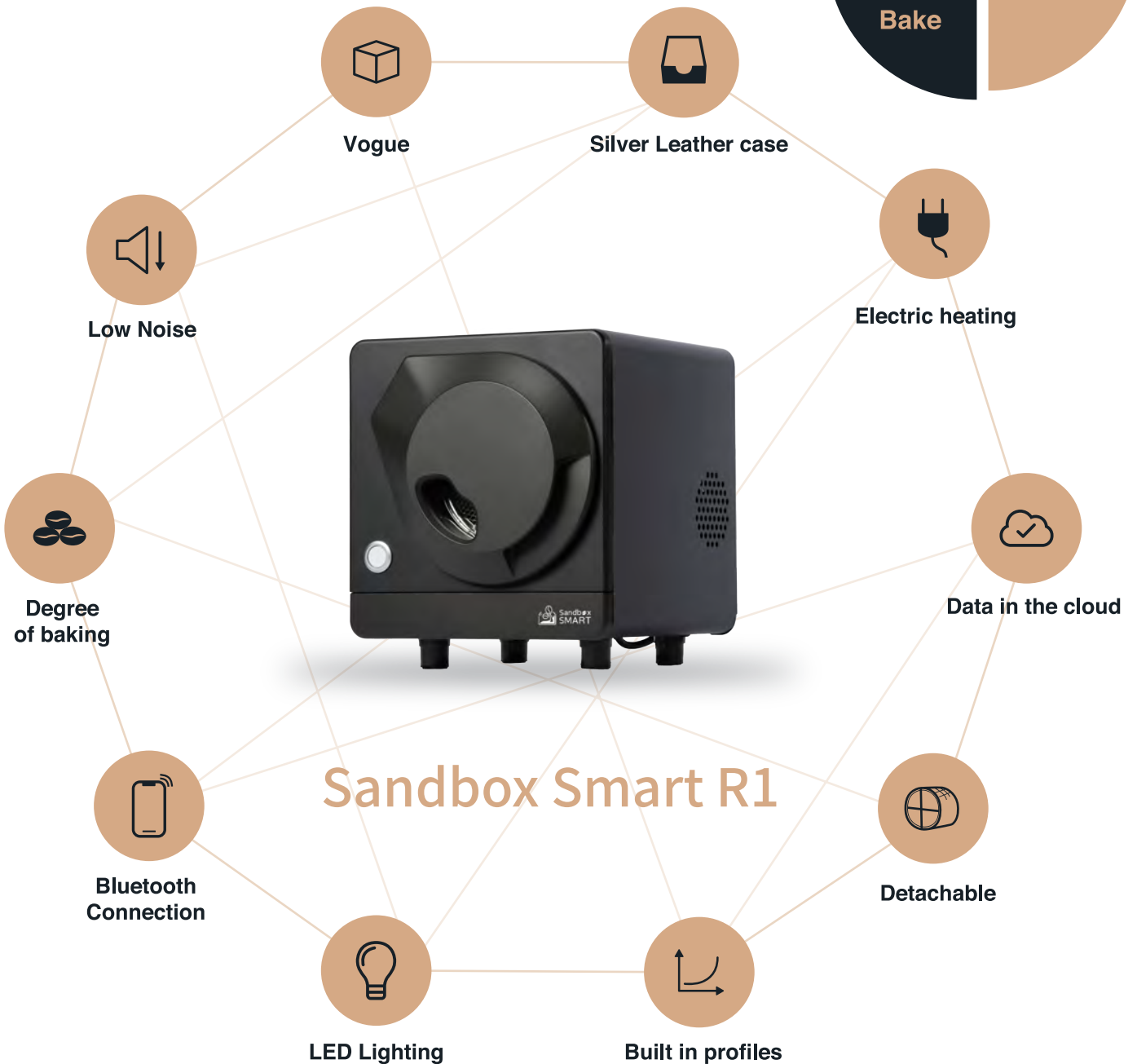
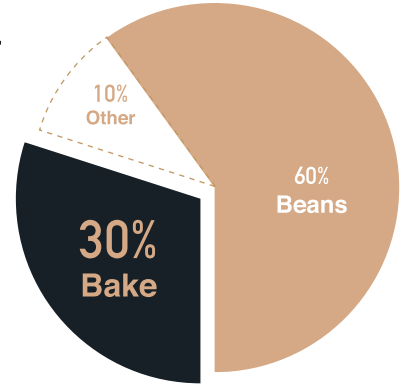
- Suitable for any home space combination
- Pass CE FCC CB safety certification
- 600W
- Volume < 70 dB
- Pass green environmental protection regulations
RoHS, WEEE, and Food Safety Law



Sandbox Smart R1

Control over 30% of your coffee flavor development

- Electric heating to preserve the best aroma and flavor
 - Drum rotate in 30RPM provides heating evenly
 - Fun to roast with built-in profiles or create your own



Built-in advanced profiles created by expert to give you best flavor

Light roast, medium roast or dark roast, just pour in 100g and you are ready to go



Try roasting the coffee you want a home,
let your home become your Café

You can adjust the time and setting for 1st crack, or to operate the roaster through manual mode while roasting to create your own flavor.

Specifications

Model : Sandbox Smart R1

Batch Capacity : 100g(0.22lbs)±20%

Heating method : Electric heating approach

Voltage : AC 110V(50/60Hz) : AC 220V(50/60Hz)

Power : 600W

Rotating speed : 30rpm

External dimensions :

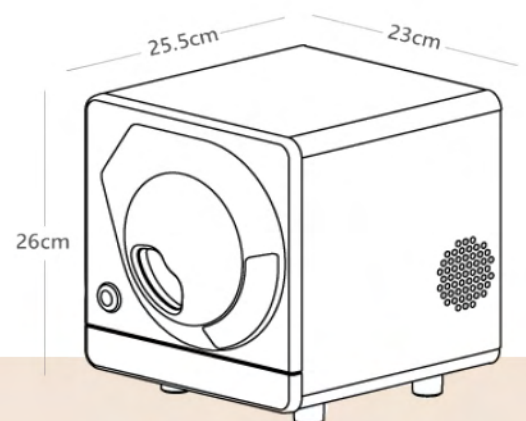
LxWxH 25.5*23.0*26.0cm

Product wight : 7kg(15.5lbs)

Connection : Bluetooth

Accessories :

heat-insulation gloves, straight brush



Sandbox Smart C1

A minute to a best flavor

Cooling Tray



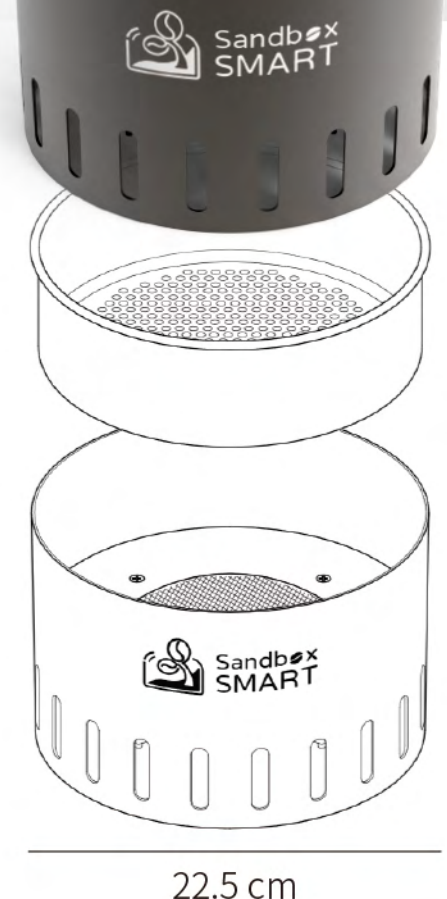
Fast cooling



Preserve the best



No more flying chaff



Detailed Specifications

Model : Sandbox Smart C1

Voltage : 110-220V

Dimensions : Ø22.5xH15.3cm

Weight : 1.25kg

Material : Bean Tank-CNS316 stainless steel
Outer case-Seamless aluminum alloy

Cooling capacity : 500g

Sandbox Smart F2

Best Accessory for Roasting

Sandbox Smart F2 Fan



Strong air exhaust



Free length adjustment



Easy to install with Magnetic Attachment



Best accessory when you need some fresh air



NO Consumables

save money, save the planet



Free length adjustment

Designed for home use and good for use in various scenes



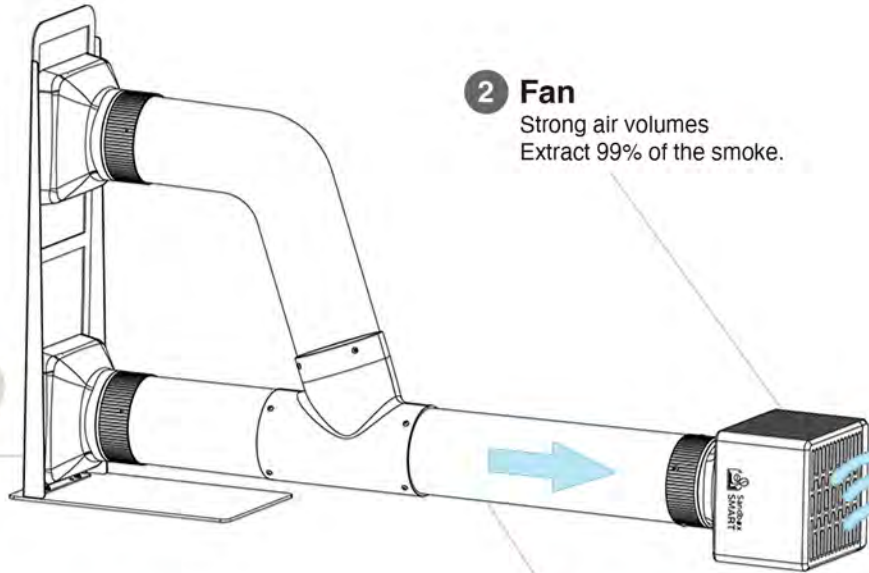
Power by USB power connector

It can even connect to a portable charger

It can be used whenever fresh air is needed !

1 Bean Roasting

There will be unavoidable fumes when roasting beans, the fumes are sucked in.



2 Fan

Strong air volumes
Extract 99% of the smoke.

3 Attacheble stand

Not only can be magnetically attached to a metal body can also be attached on a stand, suitable for a variety of scenes.

4 Exhaust pipe

Extendable from 610 mm to 1530 mm.



Detailed Specifications

Model : Sandbox Smart F2

Dimension : 93 x 610x 370 mm (W / L / H)

Adjustable length : 610-1530 ± 25 mm

Voltage : DC 5.0V

Power : 4.5W

Weight : 1300g ± 5%

Accessories : Air Inlet*2, Air Inlet Cover, Exhaust Pipe, Exhaust Fan Body, USB Cable, Fan Bracket , Fan Bracket Base, Fan Bracket Set Screws *2

About Sandbox Smart

Sandbox Smart is a team of coffee lovers devoted to exploring the potential of coffee beans.

We want everyone to enjoy their own signature coffee at home!

To that end, we design coffee roasting machines that are suitable for home, professional, or even beginner use.

Roast your coffee in a simple way!



Enjoy Coffee Enjoy Life

Roasting coffee can be full of expectation;
Sandbox Smart let you flow in the Inspiration
and creativity world of coffee roasting.

————— Your Coffee Your Choice

Your Coffee, Your Choice

